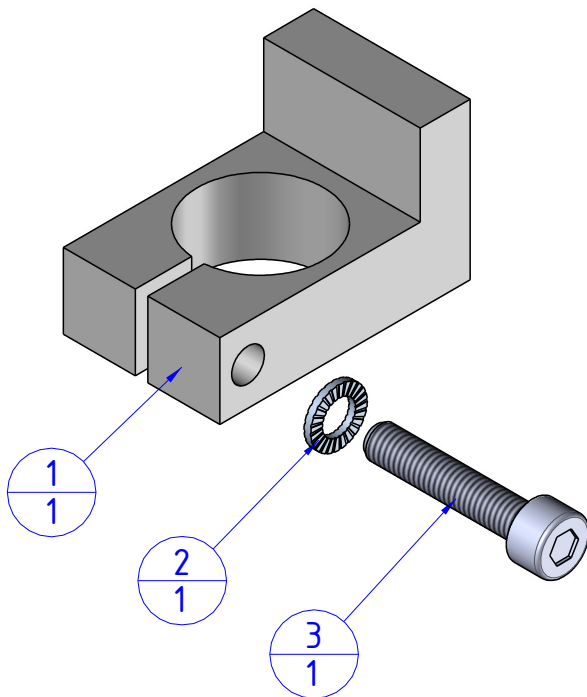
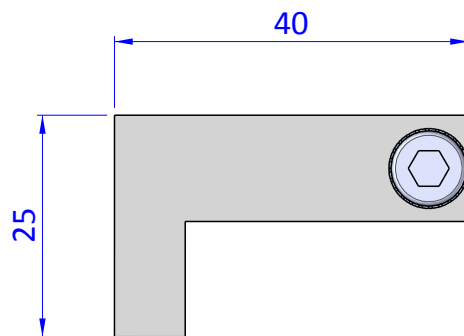
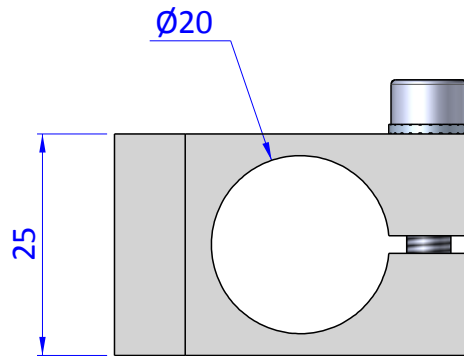

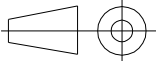


THE PROPERTY OF THE DRAWING IS ESTABLISHED BY LAW. IT IS FORBIDDEN TO PRODUCE OR SHOW IT TO THIRD PART. WITHOUT A WRITTEN AGREEMENT.

Item	Name	Q.ty
1	ANS.20	1
2	R.5.SCH	1
3	V.TCE5x25	1



<b>Format</b> A4  UNI 936-76	 FPSERVICES AUTOMATION			DESIGNED FROM <b>FPS Automation</b>	REVIEW <b>A</b>
	GENERAL TOLERANCE UNI - ISO 2768 CLASSE f	DESCRIPTION  CA.ANS.20		DATE 02/05/2019	WEIGHT 0,021kg
				CODE <b>CA.ANS.20</b>	